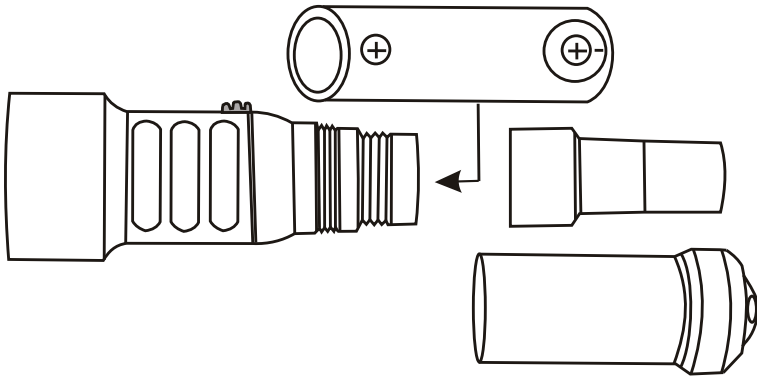
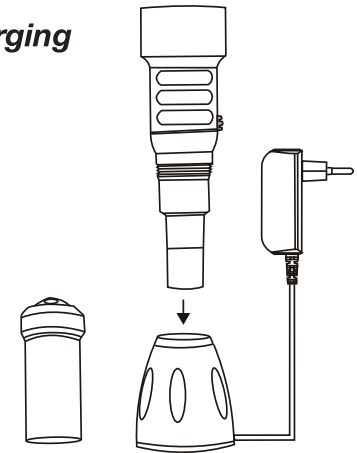


Battery Installation



Charging



Battery Installation

Insert 1 ea. 26650 4.2V Li-ion battery with the positive “+” end facing the flashlight head. Exercise caution to get the battery polarity correct.

Charging

- Unscrew and remove the rear cover of the light to expose the battery receiver
- Plug the charging unit into an AC 100-240V, 50/60 Hz wall outlet
- Place the light, battery receiver end first, into the charging base.
- Charge indicator will flash green while charging and stop flashing when complete.* NOTE: It is normal for the battery receiver and the charging unit base to become warm while charging.
- Remove from charging base when fully charged
- Do not use light while it is charging
- Inspect the o-rings to make sure that they are clean and free of any lint, hair or debris. Place a light film of silicone grease on the o-rings. This will make assembly / disassembly much easier.
- Carefully thread the rear cover back on to the body being careful not to pinch or unseat o-rings.

Care and Maintenance

- After each dive, rinse your light thoroughly with clean, fresh water
- If you are going to open the light, dry with towel first.
- Keep all o-rings cleaned and lubricated with a light coating of silicone grease.
- Store light in a cool place, out of direct sunlight and away from heat sources.

Features

Power Source	CREE XM-L T6
Output (variable)	From 50 lm to 910 lm
Burn Time (range)	2 hour at full power 60 hours at low power
Battery	4000mAh 4.2V Li-ion Battery Innovative Wireless Charging System
Switch	Variable output magnetic slide switch
Beam Distance	438 meter / 1437 feet
Beam Angle	5 degrees
Material	Aircraft Grade Aluminum Alloy
Impact Resistant	0.5 meter
Depth Tested	100 meters / 328 feet
Length	210mm
Head Diameter	59.5mm
Body Diameter	39.5mm
Weight	Weight 548g (including Battery)

Notice:

The stated data has been measured according to the international flashlight testing standards in the laboratory. The data may vary with environmental conditions.

Warranty:

- Your XS Scuba light is covered by a full 12 month warranty.
- Within 14 days of purchase, if a fault occurs due to defect, the light will be replaced (proof of purchase required).
- After 14 days and within 12 months of purchase, your light will be repaired or replaced at the discretion of XS Scuba.
- Excluded is damage caused by incorrect battery insertion (reversed polarity), battery leakage, disassembly, modification or abuse.